

DIMENSIONAL TOLERANCE TABLE

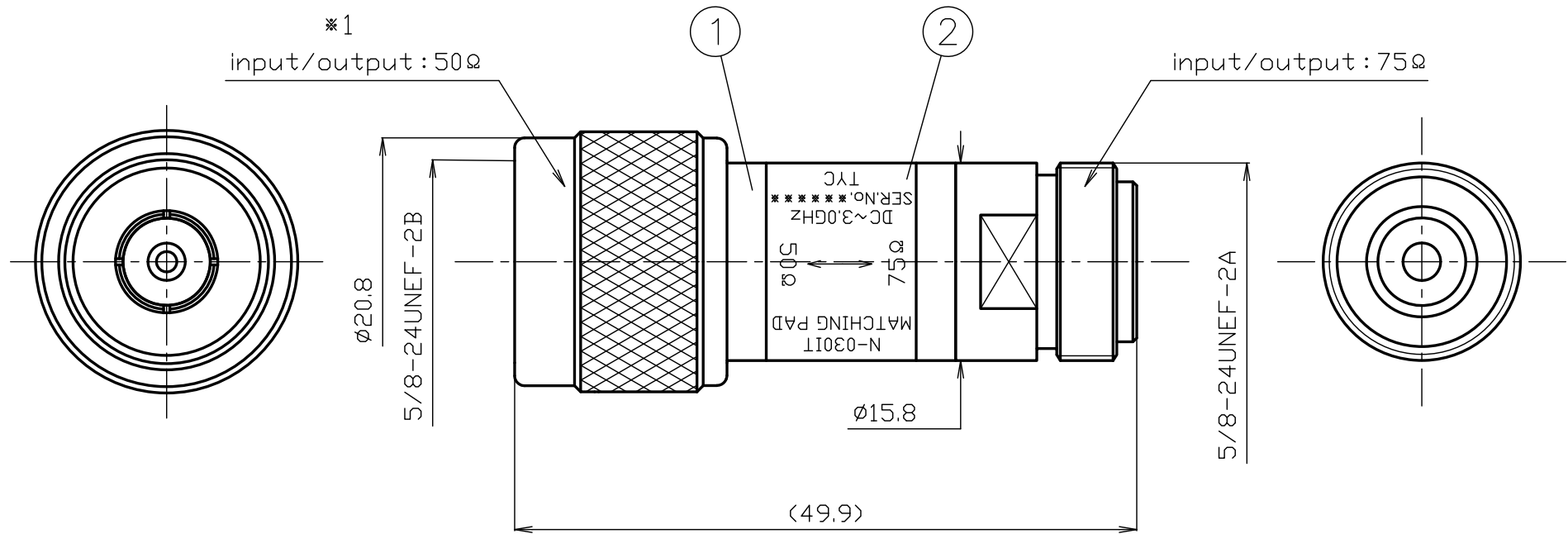
DIVISION	TOLERANCE
Less than 4.0	±0.3
4.0~16.0	±0.5
16.0~63.0	±0.7
63.0~250.0	±1.2
250.0~1000.0	±2.0

UNIT : mm

*1

input/output : 50Ω

input/output : 75Ω



RoHS Compliant [Cd ≤75ppm]	
REMARKS	BRASS: Cd ≤75ppm PHOSPHOR BRONZE: Pb <4wt%

NO.	DESCRIPTION	MATERIAL	Q'TY	FINISH	REMARK	SCALE	DRAWN	INSPECTED	APPROVED	CHECKED	PART NUMBER
7						2/1	上	檜	山	三	N-030IT
6						TOLERANCE	'24,04,24	'24,04,24	'24,04,24	'24,04,24	
5						*1	領	澤	本	村	
4						UNIT	PROJECTION				
3						mm					
2	LABEL	-----	1	--		DATE					
1	N TYPE IMPEDANCE CONVERTER	-----	1	--	BODY/Ni, CENTER PIN/Au	2024.04.24					DRAWING NO. W-0596410

PRODUCT SPECIFICATIONS

Part number: N-030IT No. 0592587
 Drawing number: W-0596410
 Nominal 1 Standard JIS C 5411(N50Ω)、IEC 169-16(N75Ω)
 2 Power handling 0.5W
 3 Rated frequency 3GHz
 4 Impedance 50Ω←→75Ω
 5 Operating temperature -10°C~+40°C
 6 Storage temperature 0~90%RH ※No condensation



		Test Items	Test Method/Value	Remarks
1 E L E C T R I C A L		V.S.W.R.	DC~3GHz : 1.2(Max.)	
		Insertion loss	DC~2GHz : 5.7±0.5dB 2GHz~3GHz : 5.7±0.7dB	
5 M E C H A N I C A L		Compatibility	No defects or abnormalities	Connecting with a standard-compliant connector
10 O T H E R S				

※The structural shape is shown in the attached drawing (Drawing number:W-0596410)

	REVISIONS	DATE
1		
2		
3		

Checked	Approved	Inspected	Prepared
 三 村	 山 本	 樋 澤	 上 領
24.04.24	24.04.24	24.04.24	24.04.24

GKQM-24