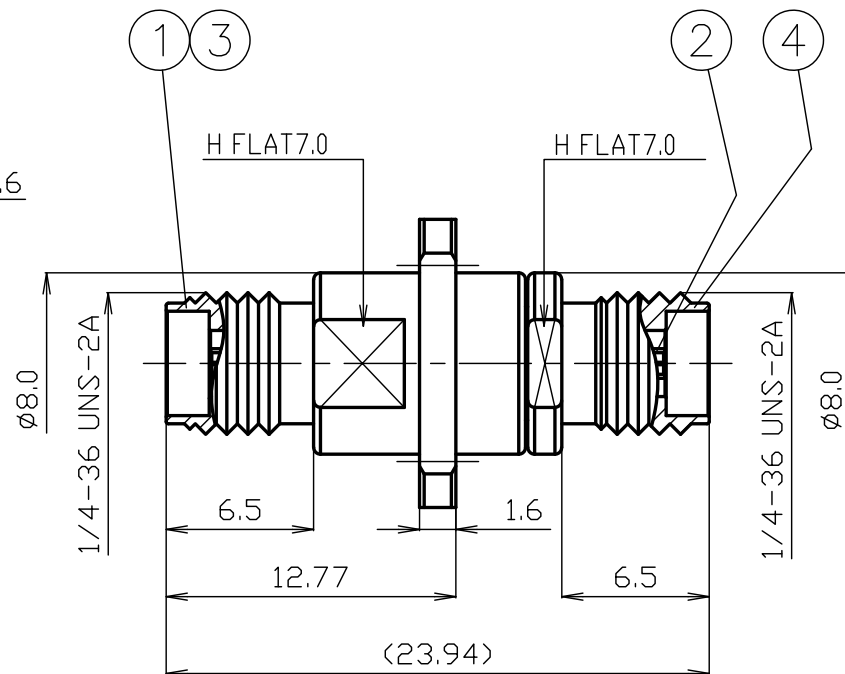
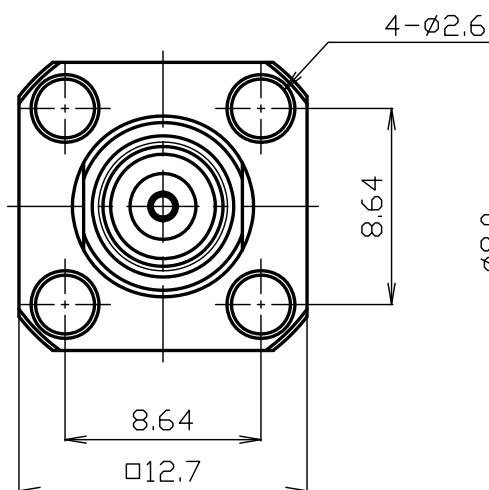


MOUNTING HOLE



- *1: PASSIVATE
- *2: STAINLESS STEEL
- *3: BERYLLIUM COPPER

RoHS Compliant [Cd ≤75ppm]

REMARKS BRASS: Cd ≤75ppm
PHOSPHOR BRONZE: Pb <4wt%

NO.	DESCRIPTION	MATERIAL	Q'TY	FINISH	REMARK	SCALE	DRAWN	INSPECTED	APPROVED	CHECKED	PART NUMBER
7						3/1	上	檜	山	三	K292-PA-JJ
6							'24,02,28	'24,02,28	'24,02,28	'24,02,28	
5	PROTECTIVE CAP	PVC	2	--			領	澤	本	村	
4	BODY B	*2	1	*1							
3	INSULATOR	PEI	1	--		UNIT					
2	CENTER PIN	*3	1	Au		mm					
1	BODY A	*2	1	*1		DATE					
						2024.02.28	PROJECTION				DRAWING NO. K-1045535



PRODUCT SPECIFICATIONS

Part number : K292-PA-JJ

No. 1042207

Drawing number : K-1045535

Nominal 1 Standard IEC 61169-35
 2 Voltage rating AC 250V
 3 Rated frequency 40GHz
 4 Impedance 50Ω
 5 Operating temperature range -40°C~+85°C



		Test Items	Test Method/Value	Remarks
1	E L E C T R I C A L	Insulation resistance	5000MΩ(Min.) at DC 500V	
2		Withstanding voltage	1 minute at AC 750V	
3		Contact resistance	Inner conductor : 3mΩ(Max.) Outer conductor : 2mΩ(Max.)	
4		V.S.W.R	DC~40GHz : 1.2(Max.)	
5	M E C H A N I C A L	Compatibility	No defects or abnormalities	Connecting with a standard-compliant connector
6		Tensile strength of coupling mechanism	270N	At axial tensile force
7		Center contact retaining force	0.4N(Min.)	With a standard pin gauge
8		Durability	500matings	
9		Coupling torque	0.8~1.1N·m	
10	O T H E R S			
11				

※The structural shape is shown in the attached drawing (Drawing number:K-1045535)

	REVISIONS	DATE
1		
2		
3		

Checked	Approved	Inspected	Prepared
24.02.28	24.02.28	24.02.28	24.02.28
村	本	澤	領

GKQM-24